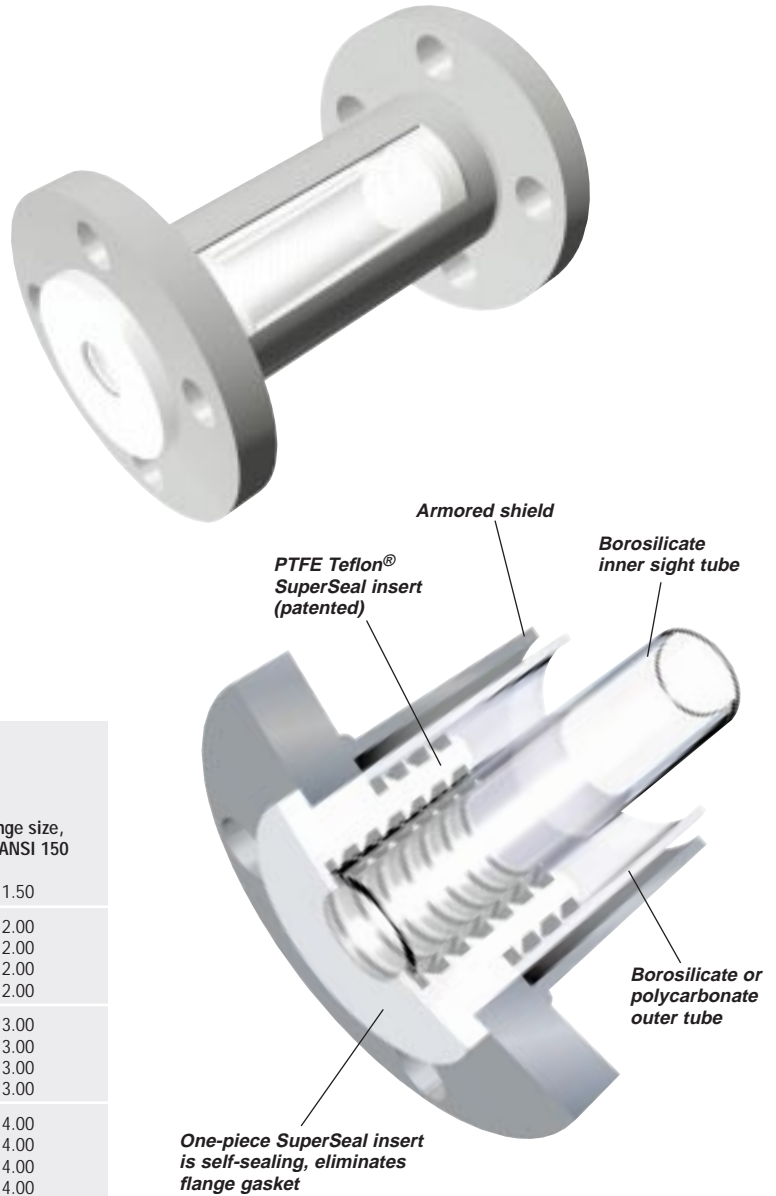


Model FT Tube-N-Tube Armored Flow Indicators (patented)

- Approved by the Factory Mutual System
- Available in any length up to 72 inches
- Stock lengths are 8 and 12 inches
- Unobstructed visibility
- Patented one-piece SuperSeal inserts are self-sealing
- Wetted parts are PTFE Teflon® and borosilicate glass
- Available with sanitary fittings
- Reducing flanges and threaded end connections available
- Designed for cryogenic and hot process applications
- Design is double sealed and insulated
- Rated for full vacuum service
- Sight tubing can be calibrated directly
- Custom designs available; consult factory
- Optional 304 or 316 SS construction
- ANSI Class 300 lb flanges available

Standard Construction

- Borosilicate inner sight tube
- Polycarbonate, acrylic, or borosilicate outer sight tube
- PTFE Teflon® SuperSeal inserts
- Carbon steel shield and flanges, epoxy coated
- ANSI Class 150 lb flanges



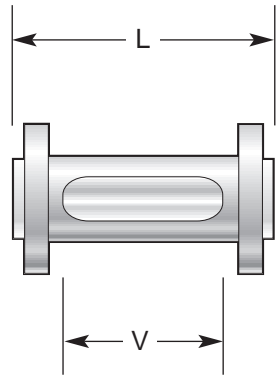
Model FT Specifications

Indicator size, in.	Sight tube material	Outer tube size, in.	Outer tube material	indicator rating, psig	Flange size, in. ANSI 150
1.00	PI	2.25	LX	150	1.50
1.50	PI	2.75	LX	135	2.00
1.50	PI	2.50	OG	135	2.00
1.50	HW	2.75	LX	285	2.00
1.50	HW	2.50	OG	285	2.00
2.00	PI	4.00	LX	115	3.00
2.00	PI	3.00	OG	115	3.00
2.00	HW	4.00	LX	285	3.00
2.00	HW	3.00	OG	285	3.00
3.00	PI	5.00	AC	95	4.00
3.00	PI	4.00	OG	95	4.00
3.00	HW	5.00	AC	200	4.00
3.00	HW	4.00	OG	200	4.00
4.00	PI	7.00	AC	95	6.00
4.00	PI	6.00	OG	95	6.00
4.00	HW	7.00	AC	150	6.00
4.00	HW	6.00	OG	150	6.00
6.00	PI	9.00	AC	60	8.00
6.00	PI	8.00	OG	60	8.00
8.00	PI	10.00	AC	40	10.00
8.00	PI	10.00	OG	40	10.00

PI = Standard Borosilicate HW = Heavywall Borosilicate LX = Outer Polycarbonate OG = Outer Borosilicate
 AC = Outer Acrylic

Model FT Tube-N-Tube Armored Flow Indicators

Specifications for Ordering



Note: Visual length (V) is 4 inches less than overall length (L).

Indicator Part Number

Use the spaces below to generate the model number for your indicators. Codes for materials and diameters are from the chart below right.

Overall length (L), inches	Indicator model	Inner sight tube material	Inner sight tube size	Flange/shield material	Flange size	Outer sight tube material	Outer sight tube size
	FT						

PTFE Teflon® lined reducing flanges: size _____ X _____ Illuminator

Example Part Number: 18-FT-HW20-S630-OG30

18	18 inches overall length
FT	Tube-N-Tube Armored Flow Indicator
HW	Heavywall borosilicate inner sight tube
20	2.0-inch inner sight tube size
S6	316 SS shield and flanges
30	3.0-inch, 150-lb flanges
OG	Outer borosilicate sight tube
30	3.0-inch outer sight tube size

Codes for Part Numbers

Sight Tube Material	Code	Size, in.	Code
Borosilicate Pipe	PI	1.00	10
Heavywall Borosilicate	HW	1.50	15
		2.00	20
Outer Tube Material		2.25	22
Acrylic	AC	2.50	25
Borosilicate	OG	2.75	27
Polycarbonate	LX	3.00	30
		4.00	40
Flange/Shield Material		6.00	60
Carbon Steel	CS	7.00	70
316 SS	S6	8.00	80
304 SS	S4	9.00	90
		10.00	100

Teflon is a registered trademark of E. I. Dupont

